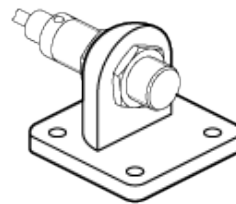
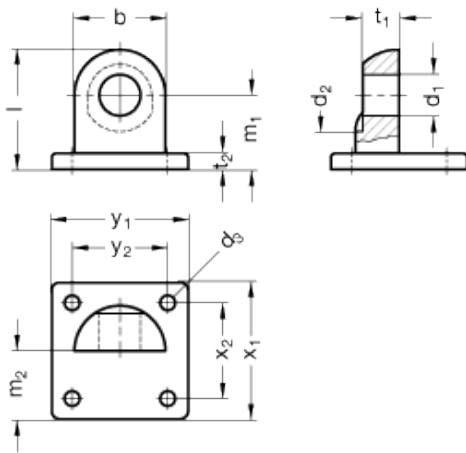
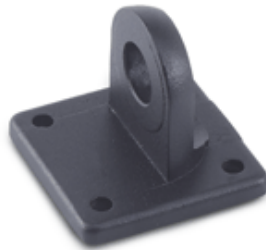


GN 272.4

Sensor holders



technical informations

Material
Aluminium.

Finish

Version SW: RAL 9005 black colour, matte finish, epoxy resin coating.

Standard Elements	Main dimensions													Weight
Description	d ₁	b	d ₂	d ₃	l	m ₁	m ₂	t _{1 -0.5}	t ₂	x ₁	x ₂	y ₁	y ₂	g
GN 272.4-B18-40-SW	B 18	40	50	6.5	52.5	32.5	30	10	7	60	42	60	42	110
GN 272.4-B30-40-SW	B 30	40	50	6.5	52.5	32.5	30	10	7	60	42	60	42	100

